



# West Michigan Woodworkers Guild

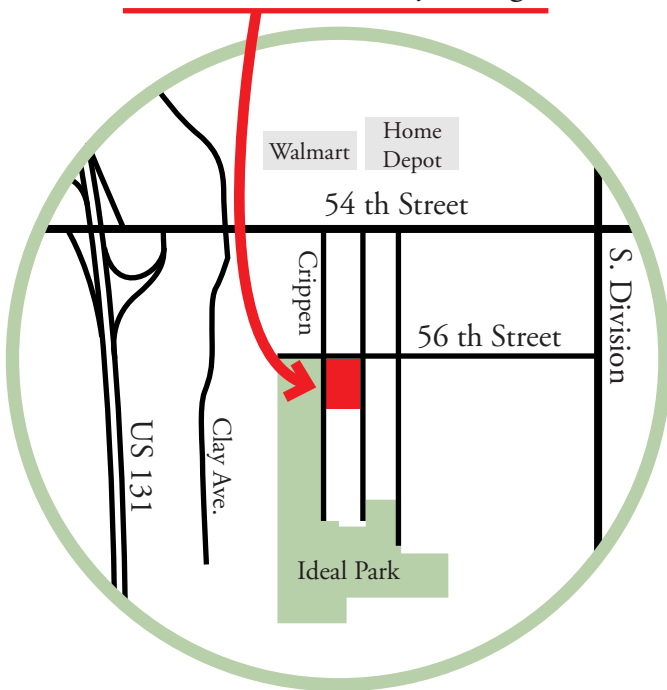
February 2020  
Newsletter

## President's Corner

By Les Derusha

### Next Meeting

Tuesday, February 11, 2020  
7:00 PM to 9:30 PM  
Ideal Park Christian Reformed  
Church Activity Center  
320 56th Street SW, Wyoming MI



How is your shop protected from FIRE? Think about it, lots of woodchips, sawdust and the addition of flammable liquids and you have the makings of a Smokin' Hot Time!

Let's start with the obvious, do you have a working Smoke Detector? When did you last check the battery? How about a readily available working Fire Extinguisher? A metal covered trash can? All these checks are to fix the problem that in almost all cases can be prevented.

A good start is housekeeping, like sweeping the floor. It really doesn't take that much to walk out of a freshly swept shop, EVERY DAY you leave it. Dust collection can make this job less difficult. A quick shot with compressed air can clean out power tools in a hurry.

How about applying finishes, those ones with VOC's attached? In an enclosed space (like a woodshop) the VOC's are generally highly combustible. Good ventilation is HIGHLY desirable. This applies to hand applied and sprayed finishes, more so the sprayed finish. Those pesky rags you used to apply or clean up the finish should be placed in the Cover Metal Trash Can.

Clean UP Your Act and your shop.

### Reminder

The March meeting will be on  
Monday, March 9, 2020,  
**NOT** Tuesday the 10th.

## February 11, 2020 Meeting agenda

Welcome to guests & returning members

### Guild business discussion

- Membership dues are now \$25 for the 2020 calendar year.

### Member Show & Tell

- Two minute limit per project.

### Cool Tools with Dale Smith

### 15 minute break

### Raffle Drawings

**Presentation** — The Scroll Saw by Dale Smith

The scroll saw is an extremely versatile tool but can have a bit of a learning curve. There are many types of blades, each used for different things, tilting tables, inlay cutting, and a host of other applications.

A couple of years ago, Dale did a presentation on scroll saw techniques and it was a fascinating display of all the things scroll saws can do. Come to February's meeting and learn more from the master.

## Upcoming Meetings

Monday, March 9, 2020

Tuesday, April 14, 2020

Tuesday, May 12, 2020

Please remember, the March meeting will be on Monday, March 9, 2020 and not on Tuesday the 10th. Our meeting facility will be used for voting on Tuesday, March 10 so we will be meeting the evening before.

EST 1928

# WOODCRAFT®

4265 28th Street SE  
Grand Rapids, MI 49512  
616-975-9663

*Get a free monthly flyer which highlights their Product Specials, Training Classes and in Store Demonstrations.'*

*To receive free mailers and catalogs, contact WOODCRAFT at the address shown above or email the Grand Rapids Woodcraft Store Manager.*

[woodcraft550@gmail.com](mailto:woodcraft550@gmail.com)

## January show and tell



In the 17th century book, “The Art of Joinery” by Joseph Moxon, he detailed out a double screw vise using wood threads and wooden screws. The vise was designed to hold the ends of boards stable for things such as dovetailing. The quality of the design has held up for hundreds of years as today these vises are just as useful as they were back then.



Dave Postmus brought in the Moxon vise he has built from ash wood. The back flange allows this vise to be clamped almost anywhere, and the double threaded rods with spinner wings allow secure clamping. Dave has done a nice job on this.



### Visit Our New Walk-in Area!

3056 Walker Ridge Drive NW, Suite 'A'  
Grand Rapids, MI 49544

**616-784-9800**

888-826-5528 [Hardwoods-Inc.com](http://Hardwoods-Inc.com)

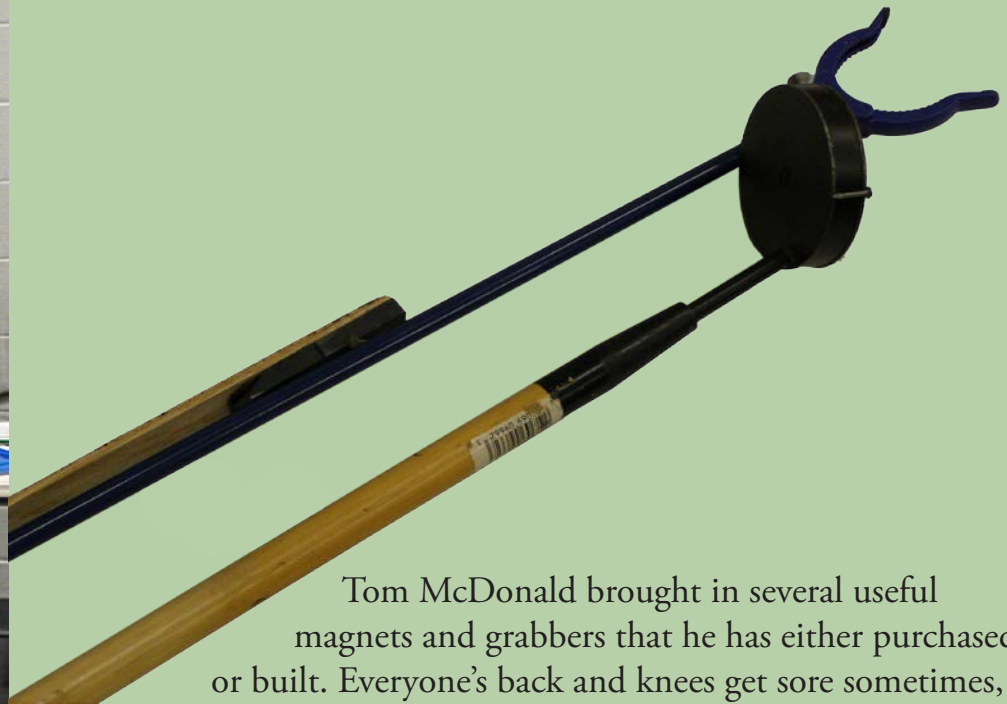
10% off listed price to those who show  
membership card.

Chris Powers

Warehouse/Inside Sales

616-784-9800

[Cpowers@hardwoods-Inc.com](mailto:Cpowers@hardwoods-Inc.com)



Tom McDonald brought in several useful magnets and grabbers that he has either purchased, or built. Everyone's back and knees get sore sometimes, and using these types of devices can be very helpful to save your body some stress.

Now, if only they could make a magnet that would pick up small pieces of wood that I drop...

## Product introduction

By Steve DeVries, presentation  
by Johannes Boonstra

Johannes Boonstra came to the January meeting to introduce a product that he represents : Rubio Monocoat.



One of the fascinating things about this finish is that it is repairable without having to sand the entire surface. The Guild intends to have Johannes back for a full-length presentation in the future.

## **TONTIN**

**HARDWOODS & MILLWORKS**

*Retail & Wholesale Lumber Sales*

565 Godfrey SW

Grand Rapids, MI 49503

**Jeremy Stokes**

General Manager

**616-774-9332**

[jeremy@tontingr.com](mailto:jeremy@tontingr.com)

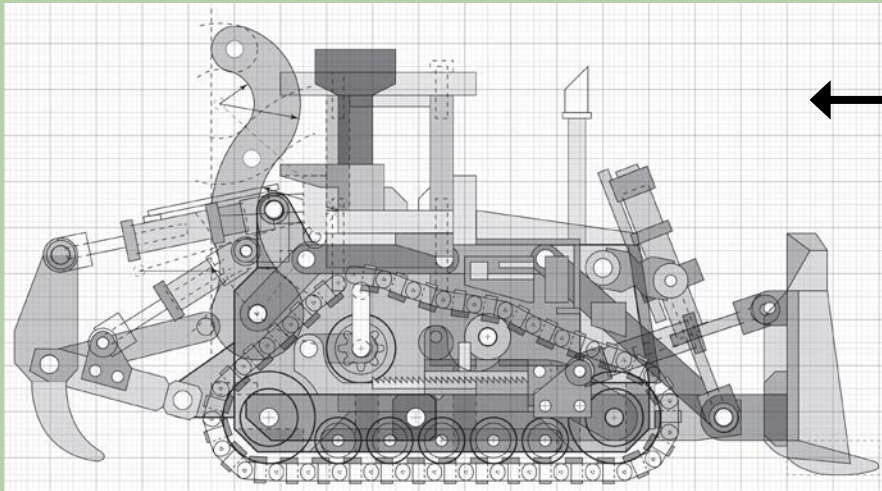
[www.tontingr.com](http://www.tontingr.com)

Rubio Monocoat is sold at Tontin  
Hardwoods and Millworks.

# January presentation recap

by Steve Devries

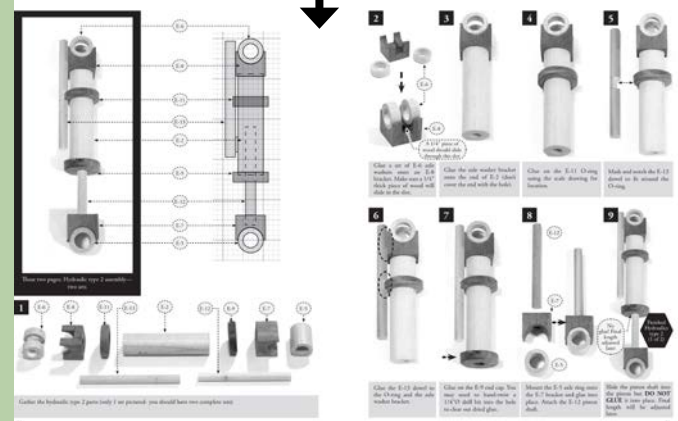
Deciphering whether plans you might want to use or buy are good quality plans can be difficult : especially when they have pretty pictures. Many things that look like high quality plans may be unbuildable.



This may be a quality drawing, but without breaking the process down into manageable steps the drawing is useless.

But if every step is broken down piece-by-piece and step-by-step instructions given for those pieces, even a very complex project is buildable.

This looks like a great chair, but the instructions and drawings are so poor it is unbuildable without a lot of redrawing first.



Key points to remember when evaluating plans :

Can you tell what you are supposed to do and how to do it just based on the pictures? The images should tell the story before you even read any words.

Do the plans contain process instructions? Plans that throw lots of part drawings at you but give you no indication of how to assemble those parts are like throwing someone a box of LEGOs and a picture of what to build. Without process instructions, many plans are useless.

**Craft Supplies USA**

THE WOODTURNERS CATALOG

[Woodturnerscatalog.com](http://Woodturnerscatalog.com)

1-800-551-8876

Provo, Utah 84606

# January Cool Tools

By Dale Smith



The January Cool Tools segment was all about digital measuring. The world of precision has come a long way since the advent of digital technology, and now even the home shop can achieve levels of accuracy only dreamed of just a few decades ago.



If you could only own one precision measuring tool, the digital caliper would be king. Most calipers these days can be set to Imperial or Metric, and can measure inner, outer, and depths.



If your work requires knowing a wood's precise moisture content, moisture meters are very useful.



Saw angle gauge. Enough said.

You would have to be building something pretty big to need a laser range finder, but hey, wood working projects come in all shapes and sizes.



Depth gauges come in many forms and can be used to set saw heights, measure hole depths, part heights, or even step heights on projects.



## Community involvement opportunity

By Chris Taylor

Chris Taylor discussed an opportunity for the Guild to be involved with the community. Chris is building a bunch of nesting chairs (chairs that stack and/or 'nest' together for easier storage) to be donated to a charity — and yes, it was difficult to resist saying they were being donated to 'chairity'.



Image copyright : Jay's Custom Creations (jayscustomcreations.com).  
Used by permission of Jay Bates.

Here is the YouTube video showing the construction of these chairs:  
If you are interested in helping Chris out with building one/multiple of these chairs, let him or one of the board members know, and we can put you in touch with him.

<https://www.youtube.com/watch?v=EuT-X18gX-4&t=255s>

# Guild clothing

By Mitch Hoogland

Guild shirts and hats are now available for ordering. Take a look below at the available options and prices. Ordering sooner rather than later will help us get a handle on the order size.

Mitch Hoogland will be handling this process so if you want to write a check, don't make it out to the Guild, talk with Mitch.



Long Sleeve T-shirt

\$15



Short Sleeve Pocket T-shirt

\$13



Washed Pigment Dyed Cay with Patch

\$15

\*Please note the cap will have an embroidered logo, not a sewn-on patch.



Sport-Tek Polo

\$20



Producing Top Quality Abrasive Products Since 1953

**Sanding Belts and Abrasives**

Jim Schultz

Phone : 616-846-2550

Grand Haven, Michigan

<http://www.econoway.com/>

**Special Pricing for Guild Members!**



616-534-0701

800-526-7308

616-534-7221 FAX

5252 Division Ave. S., Kentwood, MI 49548

[www.tubergen.net](http://www.tubergen.net)

[sharp@tubergen.net](mailto:sharp@tubergen.net)



## Web information

### West Michigan Woodworkers Guild Board of Directors

**President** - Les Derusha  
[President@westmichiganwoodworkers.org](mailto:President@westmichiganwoodworkers.org)

**Vice President** - Dale Smith  
[ahumanoid@hotmail.com](mailto:ahumanoid@hotmail.com)

**Secretary** - Chris Taylor  
[taylor.christopher.james@gmail.com](mailto:taylor.christopher.james@gmail.com)

**Treasurer** - Case Vander Maas  
[case.vm@gmail.com](mailto:case.vm@gmail.com)

**Program Director** - John Pflug  
[johnpflug2@gmail.com](mailto:johnpflug2@gmail.com)

**Newsletter Editor** - Steve Devries  
[newsletter@westmichiganwoodworkers.org](mailto:newsletter@westmichiganwoodworkers.org)

**Guild Contact** - Tom McDonald  
[information@westmichiganwoodworkers.org](mailto:information@westmichiganwoodworkers.org)  
616-706-8057

**Board Members at Large**  
Patti Dooley  
[Rosepedal27@comcast.net](mailto:Rosepedal27@comcast.net)

Greg Quist  
[Gquist43@gmail.com](mailto:Gquist43@gmail.com)

Wayne Veneklasen  
[wvenekla@att.net](mailto:wvenekla@att.net)

Jim Jakosh  
[jcyj7815@att.net](mailto:jcj7815@att.net)

Mitch Hoogland  
[mitch.hoogland@gmail.com](mailto:mitch.hoogland@gmail.com)

The Guild's Facebook page :  
[www.facebook.com/groups/wmiwwguild](http://www.facebook.com/groups/wmiwwguild)

The Guild's website :  
[www.westmichiganwoodworkers.org](http://www.westmichiganwoodworkers.org)



**SHERWIN-WILLIAMS**

Gustavo Diaz, Area Sales Manager  
4499 Ivanrest Avenue, SW  
Grandville, MI 49418  
616-249-8137  
[sw1757@sherwin.com](mailto:sw1757@sherwin.com)

**FESTOOL**

Tools for the toughest demands

### Build something awesome

Step-by-step plan books for the coolest wooden toys in the world  
by S.G. Devries

Available at  
**amazon**



The BIG Truck Plans



The BIG Steam Roller Plans



The BIG Dozer Plans

All plan books include scale drawings of every part, hundreds of procedural photographs, and complete instructions.